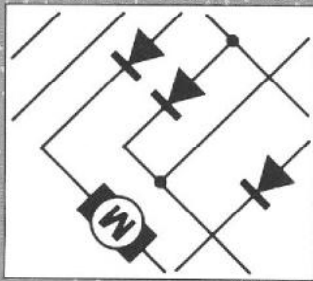




SF416



WIRING DIAGRAM MANUAL

SUZUKI
Caring for Customers

99512-71C00-01E
(英)

FOREWORD

This manual has been prepared to help inspection and service works involving electric wiring of the following model be done efficiently.

Applicable model : SF416

(For VIN Nos. of applicable vehicles, refer to Applicability in page 8A-1-2 of this manual.)

In order to make a good use of this manual, it is important to have a full understanding of its first section "HOW TO USE THIS MANUAL".

All the data and information contained in this manual are based on the vehicle of certain specifications. Therefore, please note that the actual vehicle being serviced may vary somewhat because of differences in specifications or statutory regulations.

Also note that since this manual has been prepared based on the vehicles of 1993 March production, the description in it may vary from vehicles of later production if vehicle specifications have been modified.

For inspection and service works of electrical parts, following reference materials are also available for your help.

RELATED SERVICE MANUAL (S/M)

SF416 (S/M).....99500-71C10-01E

SUZUKI MOTOR CORPORATION

*AUTOMOBILE DEPARTMENT
OVERSEAS SERVICE DIVISION*

TABLE OF CONTENTS

SECTION

HOW TO USE THIS MANUAL

8A-1

WIRING DIAGRAM

8A-9

SECTION 8A-1



HOW TO USE THIS MANUAL

CONTENTS

- Manual Contents and Description8A-1- 2
- Applicability8A-1- 2
- Cautions in Servicing.....8A-1- 3
- Symbols and Marks8A-1- 6
- Abbreviations.....8A-1- 7
- Wire Colors.....8A-1- 7
- How to Read Wiring Diagram (SECTION 8A-9).....8A-1- 8
- Indication of Connectors and How to Read them.....8A-1-10

MANUAL CONTENTS AND DESCRIPTION

This manual consists of diagrams showing the wiring.

SECTION		DESCRIPTION
Wiring Diagram	8A-9	System circuit diagrams are arranged side by side to show how the electric circuits of the whole vehicle are connected.

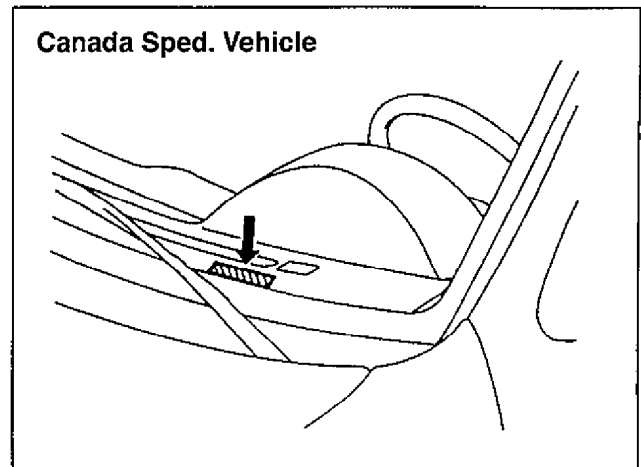
APPLICABILITY

This manual is applicable to the vehicles listed below.

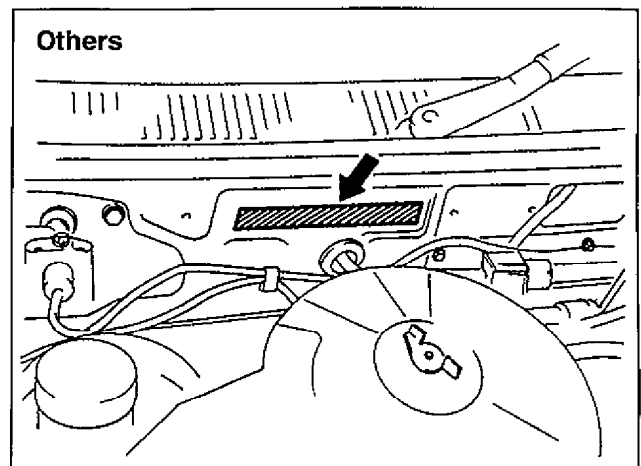
NOTE :

Bear in mind that description in the text may vary from the actual vehicle depending on specifications.

MODEL	VIN No.
SF416 (2WD).....	ⓧ JSAEAH14S00150271 ⓧ — JS2AH14S □ P5101241 — JS2AH14S □ R5100001 — AH14S — 202822 —
(4WD).....	ⓧ JSAEAJ14S00140847 ⓧ —



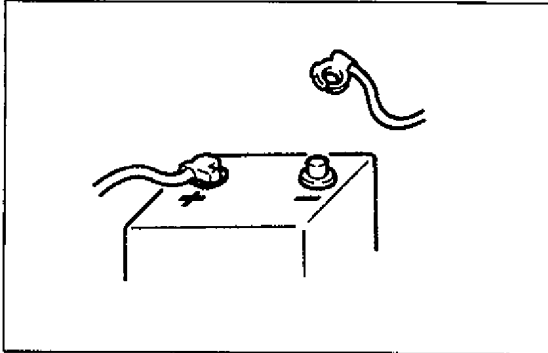
Vehicle Identification Number Location



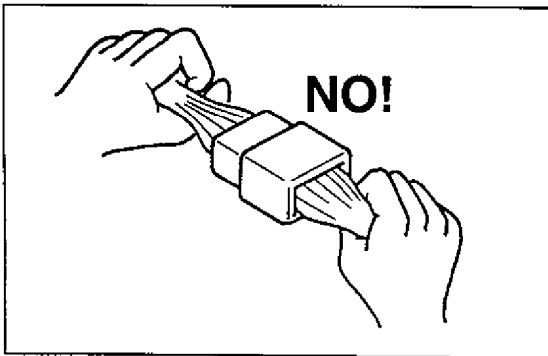
Vehicle Identification Number Location

CAUTIONS IN SERVICING

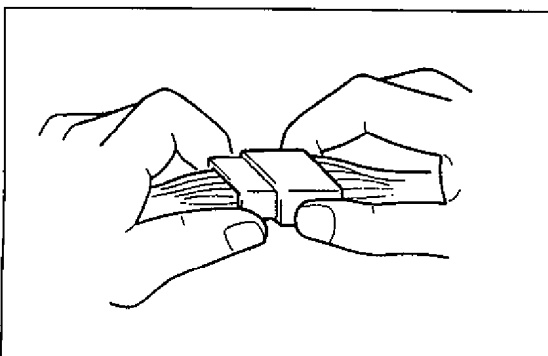
When performing works related to electric systems, observe following cautions for the purpose of protection of electrical parts and prevention of a fire from occurrence.



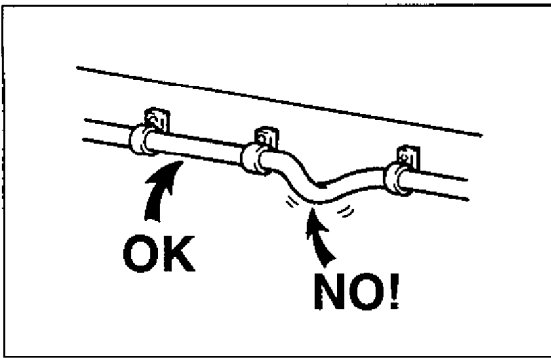
- When removing the battery from the vehicle or disconnecting the cable from the battery terminals for inspection or service works on the electric systems, always confirm first that the ignition switch and all the other switches have been turned OFF. Otherwise, the semiconductor part may be damaged.
- When disconnecting cables from the battery, be sure to disconnect the one from the negative (-) terminal first and then the other from the positive (+) terminal.
- Reverse the above order when connecting the cables to the battery terminals.



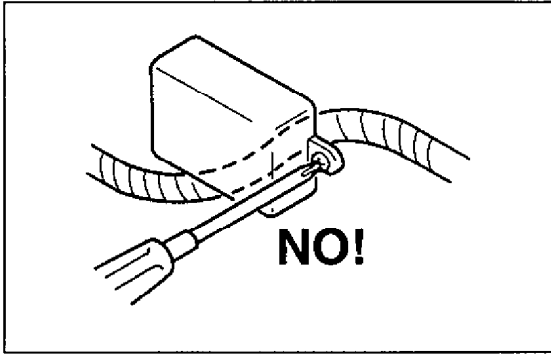
- When disconnecting connectors, never pull the wiring harnesses. Unlock the connector lock first and then pull them apart by holding connectors themselves.



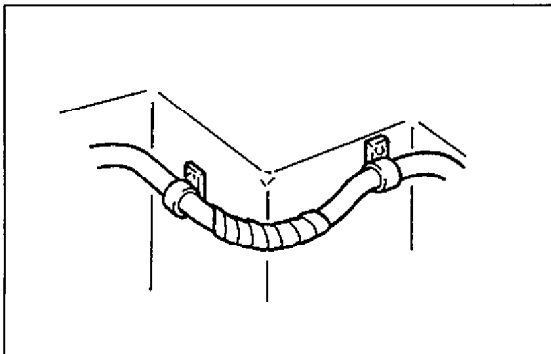
- When connecting connectors, also hold connectors and push them together until they lock securely (a click is heard).



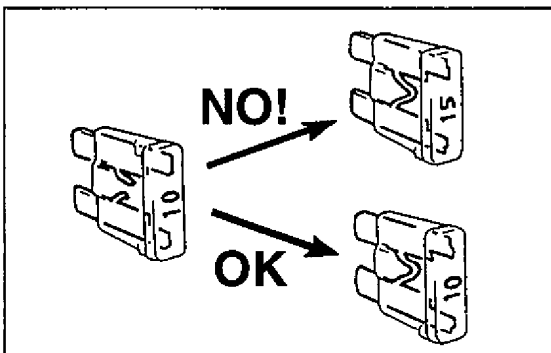
- When installing the wiring harness, fix it with clamps so that no slack is left.



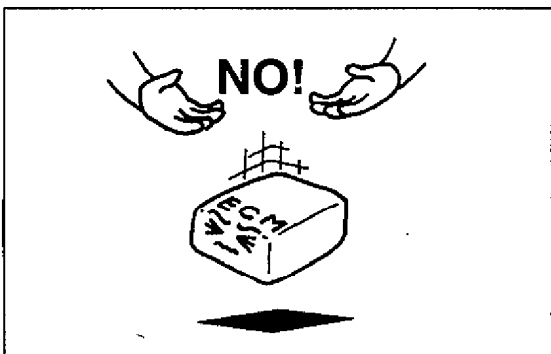
- When installing vehicle parts, be careful so that the wiring harness is not interfered with or caught by any other part.



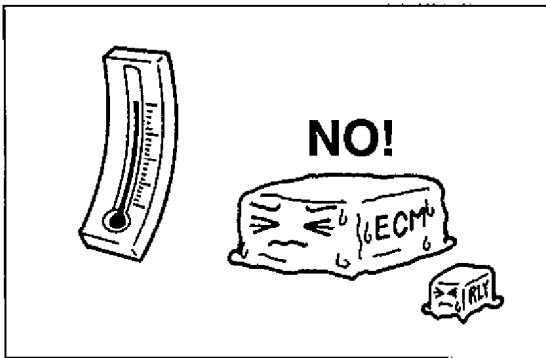
- To avoid damage to the harness, protect its part which may contact against a part forming a sharp angle by winding tape or the like around it.



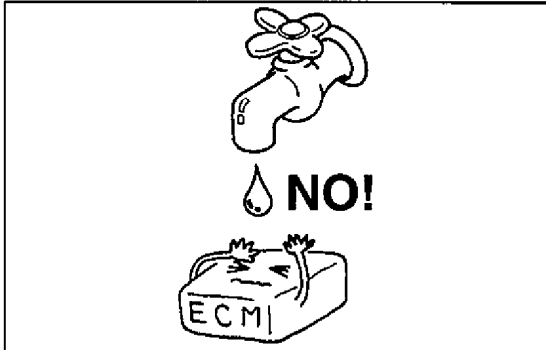
- When replacing a fuse, make sure to use a fuse of the specified capacity. Use of a fuse with a larger capacity will cause a damage to the electrical parts and a fire.



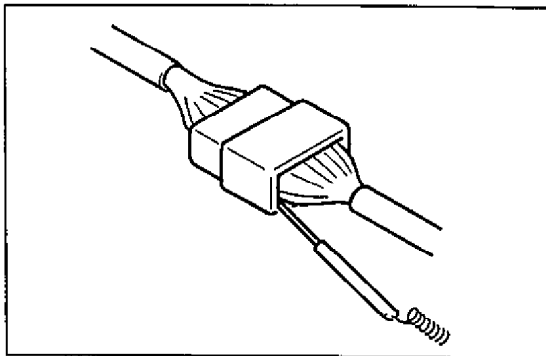
- Always be careful not to handle electrical parts (computer, relay, etc.) in a rough manner or drop them.



- When performing a work that produces a heat exceeding 80°C in the vicinity of the electrical parts, remove the heat sensitive electrical part(s) beforehand.



- Use care not to expose connectors and electrical parts to water which will be a cause of a trouble.



- When using a tester for checking continuity or measuring voltage, be sure to insert the tester probe from the wire harness side.

SYMBOLS AND MARKS

In the diagrams of this manual, each equipments are represented by the symbols and marks as shown below.

Battery	Ground		Fuse	Main fuse
Circuit breaker	Coil, Solenoid	Heater	Bulb	
Cigarette lighter	Motor	Pump	Horn	Speaker
Buzzer	Chime	Condenser	Thermistor	Reed switch
Resistance	Variable resistance		Transistor	
			NPN	PNP
Photo transistor	Diode	Reference (zener) diode	Light emitting diode	Photo diode
Piezoelectric element	Harness		Relay	
	(Connected)	(Not connected)	Normal open relay	Normal closed relay
Connector	Switch		"O" Type terminal	

ABBREVIATIONS

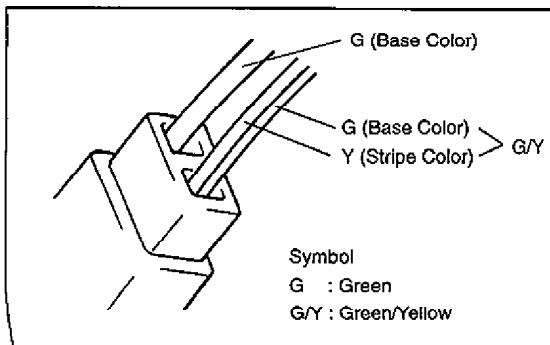
Listed below are the abbreviations as used in this manual and their full terms.

Abbreviation	Full term	Abbreviation	Full term
2WD	2 wheel drive vehicles	LO	Low
4WD	4 wheel drive vehicles	M/T	Manual transmission
A/C	Air conditioning	P/N	Power/Normal
A/T	Automatic transmission	RH	Right hand
ACC	Accessory	ST	Starter
COMB	COMBINATION	VSV	Vacuum switching valve
DRL	Daytime running light (If equipped)		
EGR	Exhaust gas recirculation		
HI	High		
J/B	Junction/Fuse block		
IG	Ignition		
ILL	Illumination		
IND	Indicator		
LH	Left hand		

Symbol	Wire Core	Symbol	Wire Core
B	Black	O	Orange
Bl	Blue	R	Red
Br	Brown	W	White
G	Green	Y	Yellow
Gr	Gray	P	Pink
Lbl	Light Blue	V	Violet
Lg	Light Green		

WIRE COLOR SYMBOLS

The initial alphabet(s) of the color name is used to represent each color as listed at the left.

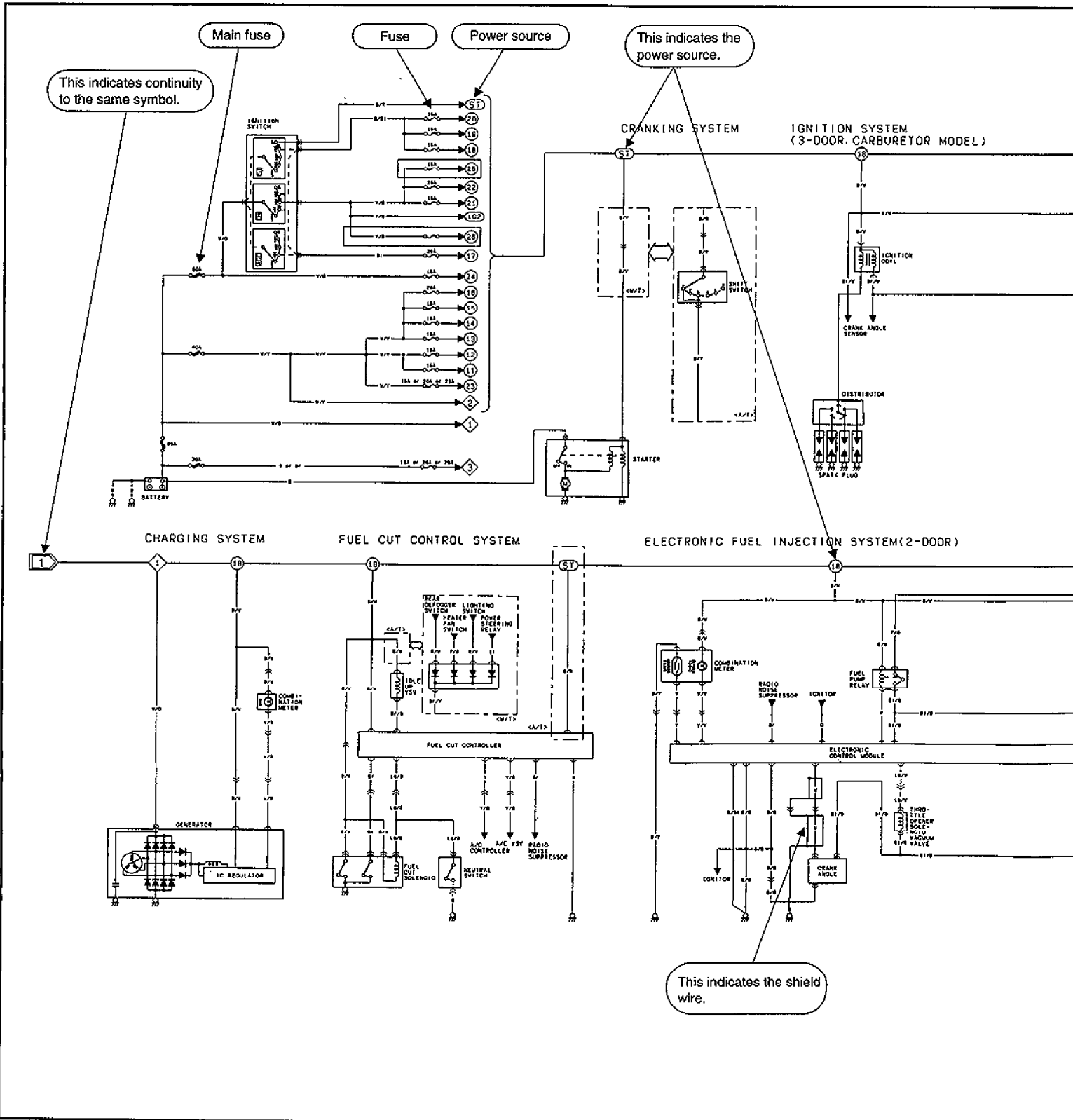


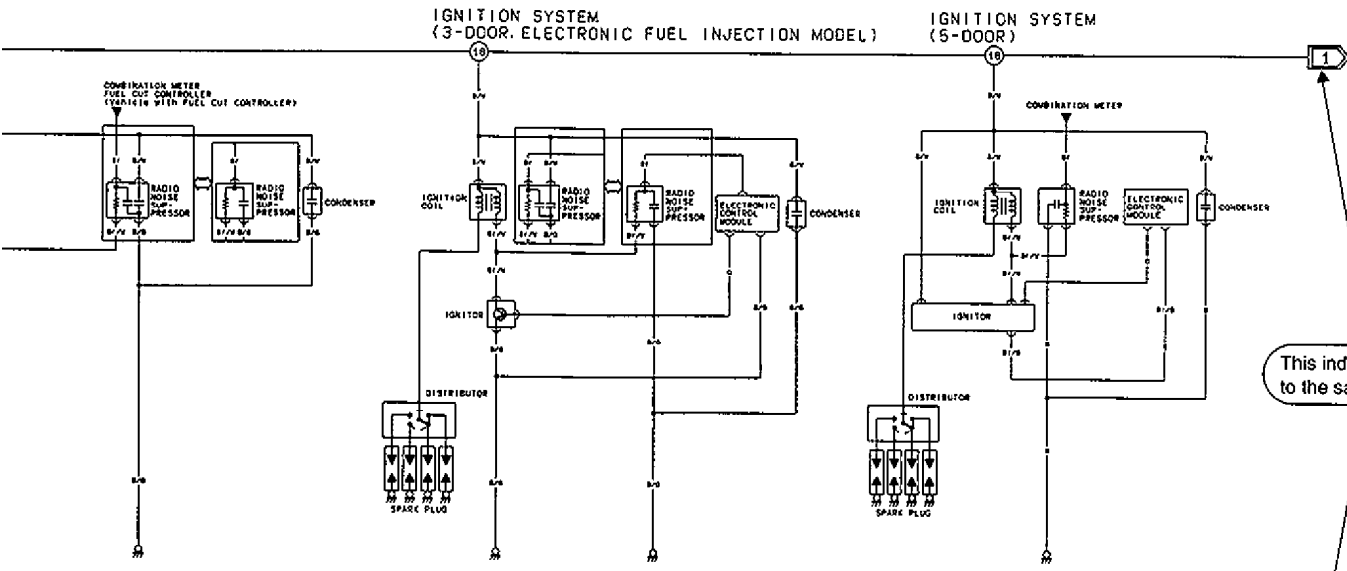
There are two types of wire color : one-color type and 2-color type(with a stripe). In case of 2-color type, the first alphabet ("G" of the example in the figure at the left) represents the basic color(color of wire insulation) and the next alphabet ("Y" of the example) represents the color of stripe.

HOW TO READ WIRING DIAGRAM

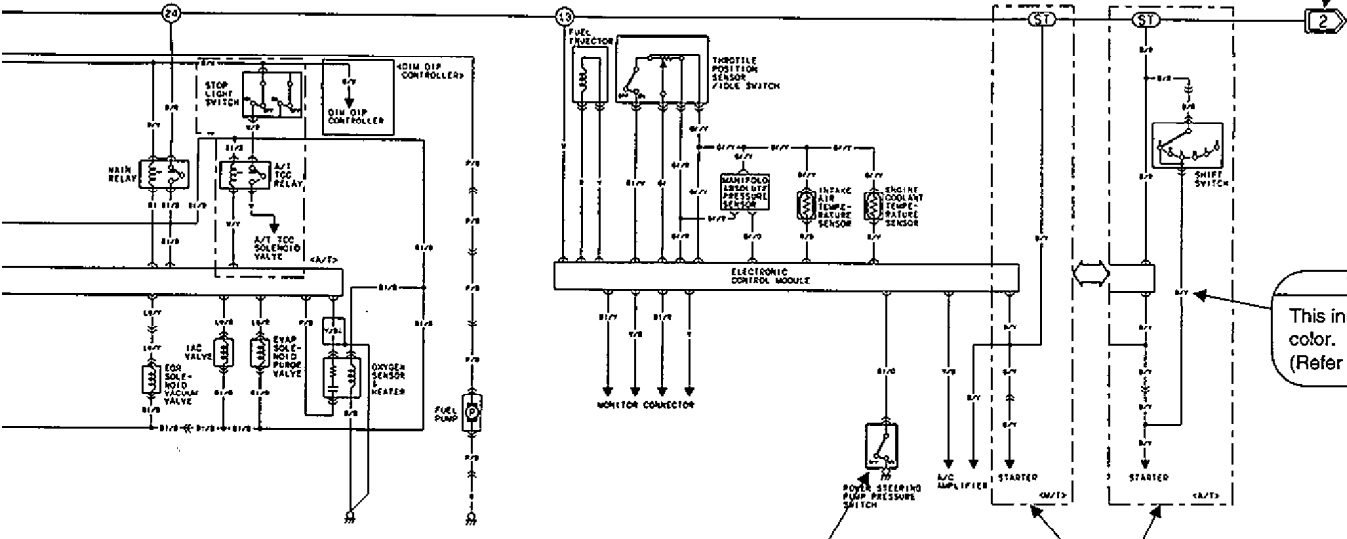
This wiring diagram shows electric circuits of various systems, each covering from the main fuse, fuse box or ignition switch to the ground. A special consideration was taken so that each circuit shows electricity flow from the top down to help read the diagram easily when referred to for inspection and other service work.

For the meaning of each number or symbol in the circuit diagram, refer to explanation at the other end of an arrow attached to it.





This indicates continuity to the same symbol.



Wire color
This indicates the wire color.
(Refer to page 8A-1-7.)

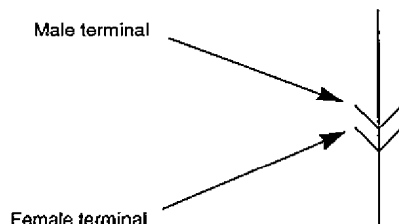
Symbol mark
Symbol marks are used for better legibility.
For more information, refer to page 8A-1-6.

This indicates variation of circuit depending on specifications.

INDICATION OF CONNECTORS AND HOW TO READ THEM

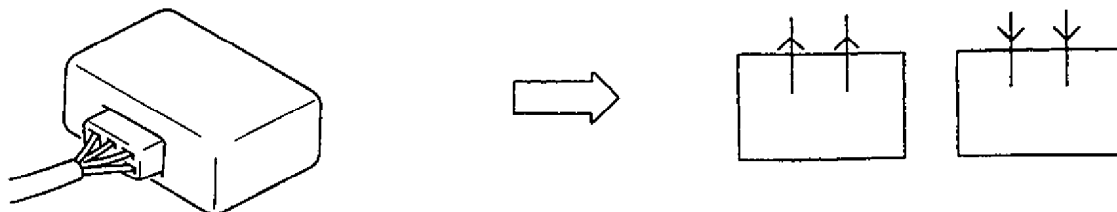
Terminals of each connector are indicated by using symbolic illustrations in WIRING DIAGRAM(SECTION 8A-9) in this manual. Shown below are examples accompanied by explanation of how to read them.

1. Male and female terminals of each connector connecting harnesses are shown as follows. When the connector is connected to the equipment directly, only the harness side terminal is indicated.

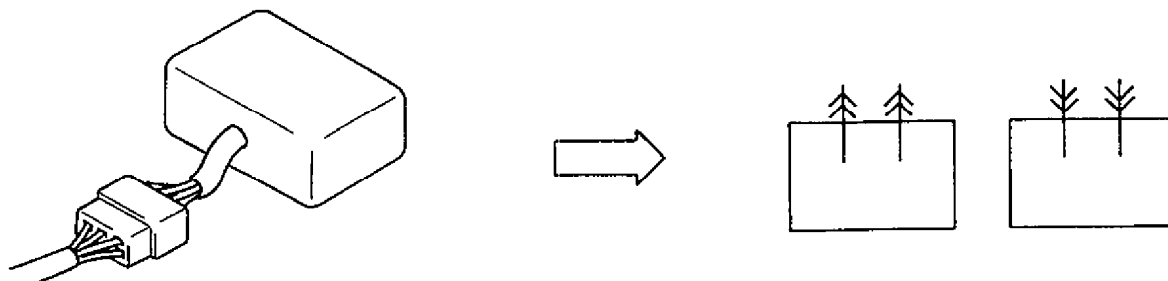


2. There are three types of connectors with respect to the way it is connected and each type is illustrated as shown below.

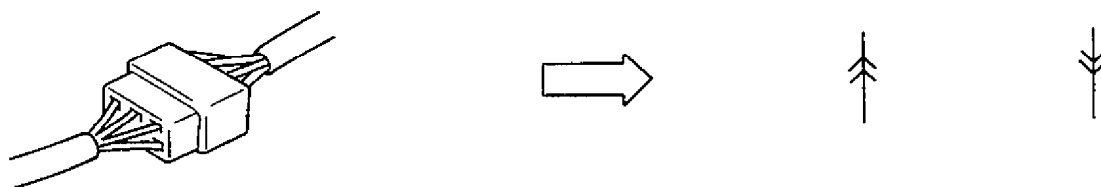
- To be inserted directly into equipment



- To be connected with harness connector of equipment



- To connect between harnesses (intermediate connector)



SECTION 8A-9

WIRING DIAGRAM

CONTENTS

8A-9

ENGINE

CRANKING SYSTEM	8A-9- 3
IGNITION SYSTEM <CARBURETOR MODEL>	8A-9- 3
IGNITION SYSTEM <ELECTRONIC FUEL INJECTION MODEL>	8A-9- 3
CHARGING SYSTEM.....	8A-9- 3
COOLING SYSTEM.....	8A-9- 3
ELECTRONIC FUEL INJECTION SYSTEM.....	8A-9- 3
CARBURETOR CONTROL SYSTEM <M/T>	8A-9- 3
CARBURETOR CONTROL SYSTEM <A/T>	8A-9- 4

BODY

A/T CONTROL SYSTEM.....	8A-9- 4
SHIFT LOCK SYSTEM <IF EQUIPPED>.....	8A-9- 4
A/T SHIFT ILLUMINATION.....	8A-9- 4
WINDSHIELD WIPER AND WASHER	8A-9- 4
REAR WINDOW DEFOGGER <IF EQUIPPED>.....	8A-9- 4
POWER WINDOW <IF EQUIPPED>.....	8A-9- 4
POWER DOOR LOCK SYSTEM <IF EQUIPPED>	8A-9- 4
REMOTE CONTROLLED MIRROR <IF EQUIPPED>	8A-9- 4
HORN	8A-9- 5

COMBINATION METER

METER AND GAUGE.....	8A-9- 5
WARNING LAMP.....	8A-9- 5
INDICATOR LAMP.....	8A-9- 5

LIGHT

HEAD LIGHT	8A-9- 5
HEAD LIGHT <VEHICLE WITH DIM-DIP SYSTEM>	8A-9- 5
HEAD LIGHT <VEHICLE WITH DRL SYSTEM>.....	8A-9- 5
SMALL, TAIL AND LICENCE LIGHT	8A-9- 6

INTERIOR LIGHT	8A-9- 6
TURN SIGNAL AND HAZARD WARNING LIGHT.....	8A-9- 6
STOP LIGHT.....	8A-9- 6
BACK-UP LIGHT	8A-9- 6
FRONT FOG LIGHT <IF EQUIPPED>.....	8A-9- 6
REAR FOG LIGHT <IF EQUIPPED>.....	8A-9- 6

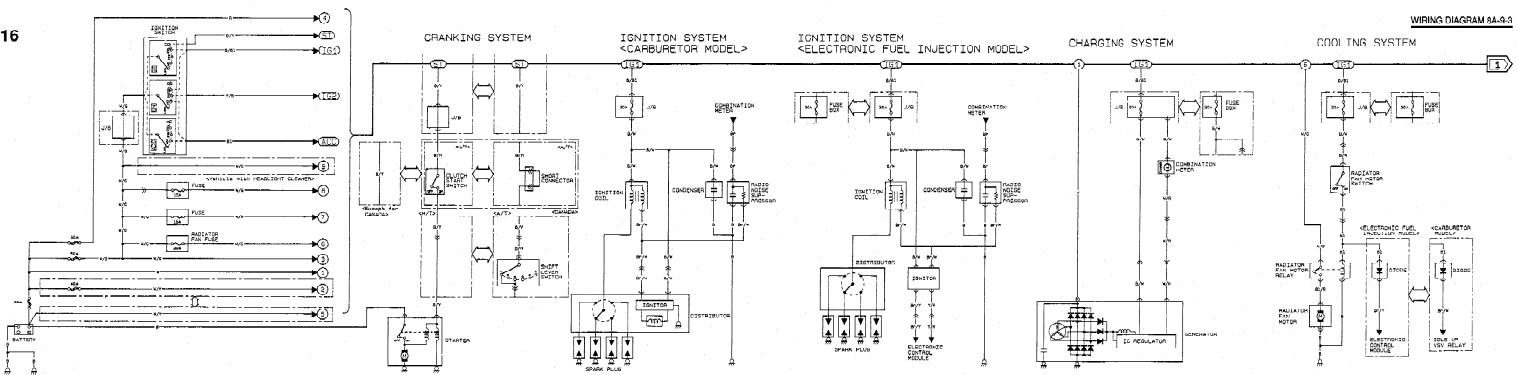
AIR CONDITIONING

HEATER ILLUMINATION.....	8A-9- 7
HEATER AND AIR CONDITIONING.....	8A-9- 7

OTHER

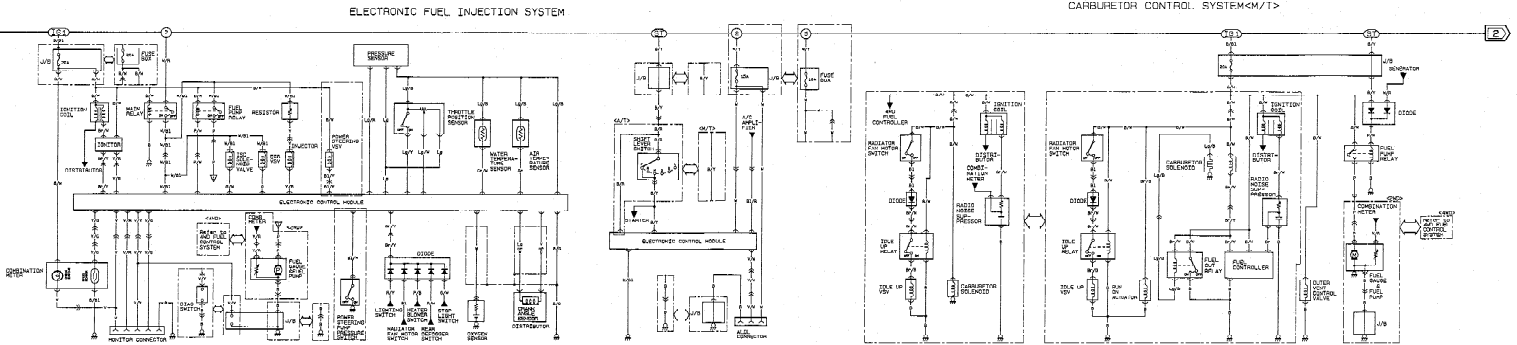
AUDIO <IF EQUIPPED>.....	8A-9- 7
CLOCK <IF EQUIPPED>.....	8A-9- 7
CIGARETTE LIGHTER <IF EQUIPPED>.....	8A-9- 7
WARNING CONTROL SYSTEM	8A-9- 7
4WD FUEL CONTROLLER	8A-9- 8
POWER STERRING <CARBURETOR MODEL>.....	8A-9- 8
HEAD LIGHT BEAM LEVELING SYSTEM <IF EQUIPPED>.....	8A-9- 8
HEAD LIGHT CLEANER <IF EQUIPPED>	8A-9- 8
SEAT HEATER <IF EQUIPPED>.....	8A-9- 8

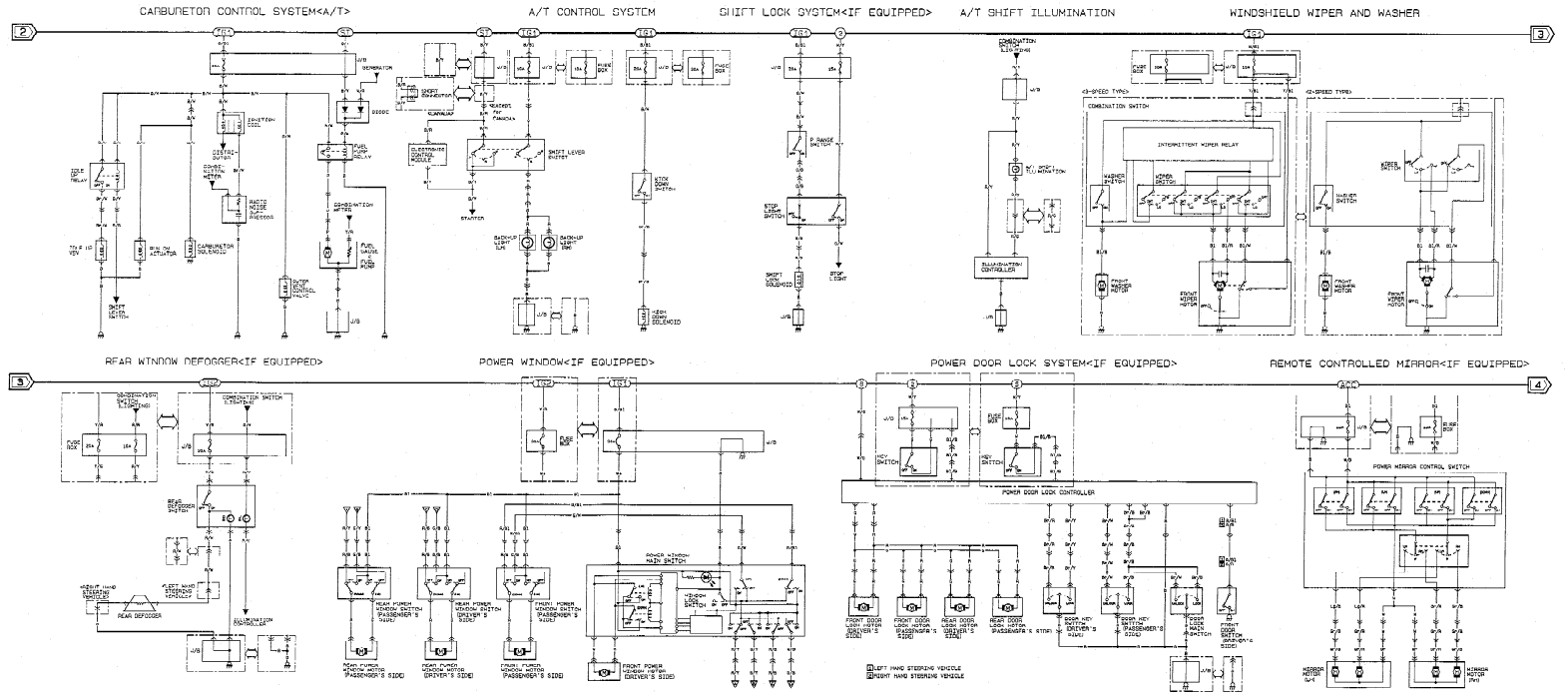
SF416



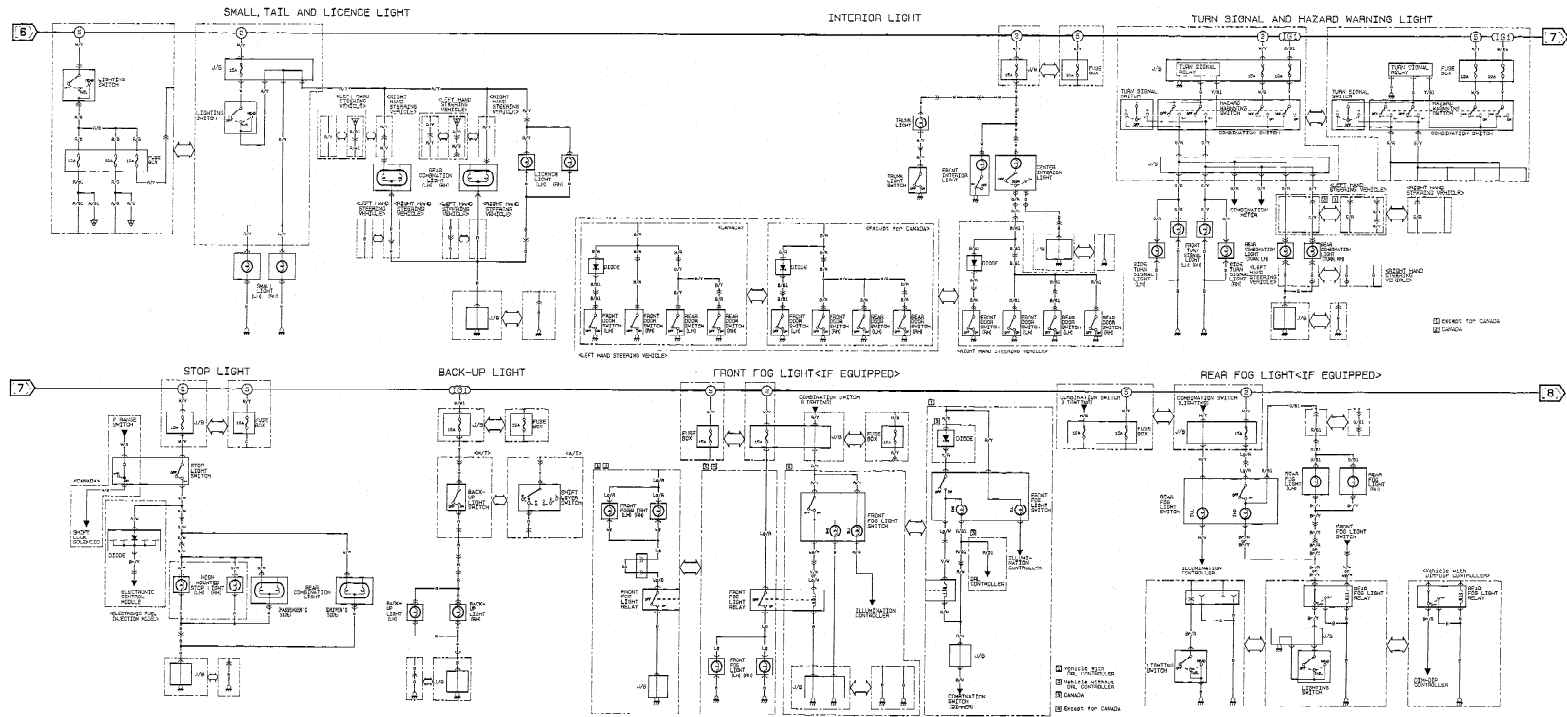
4

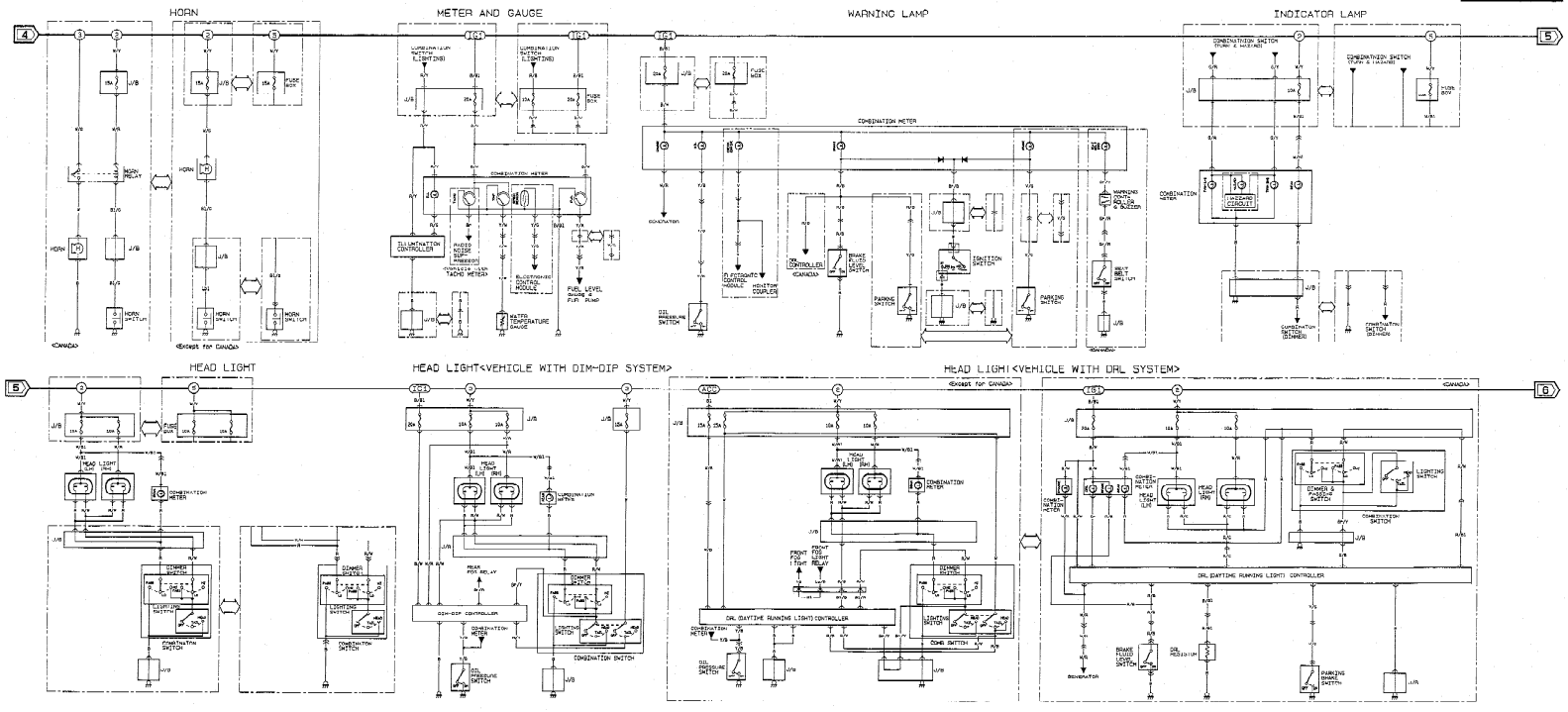
5

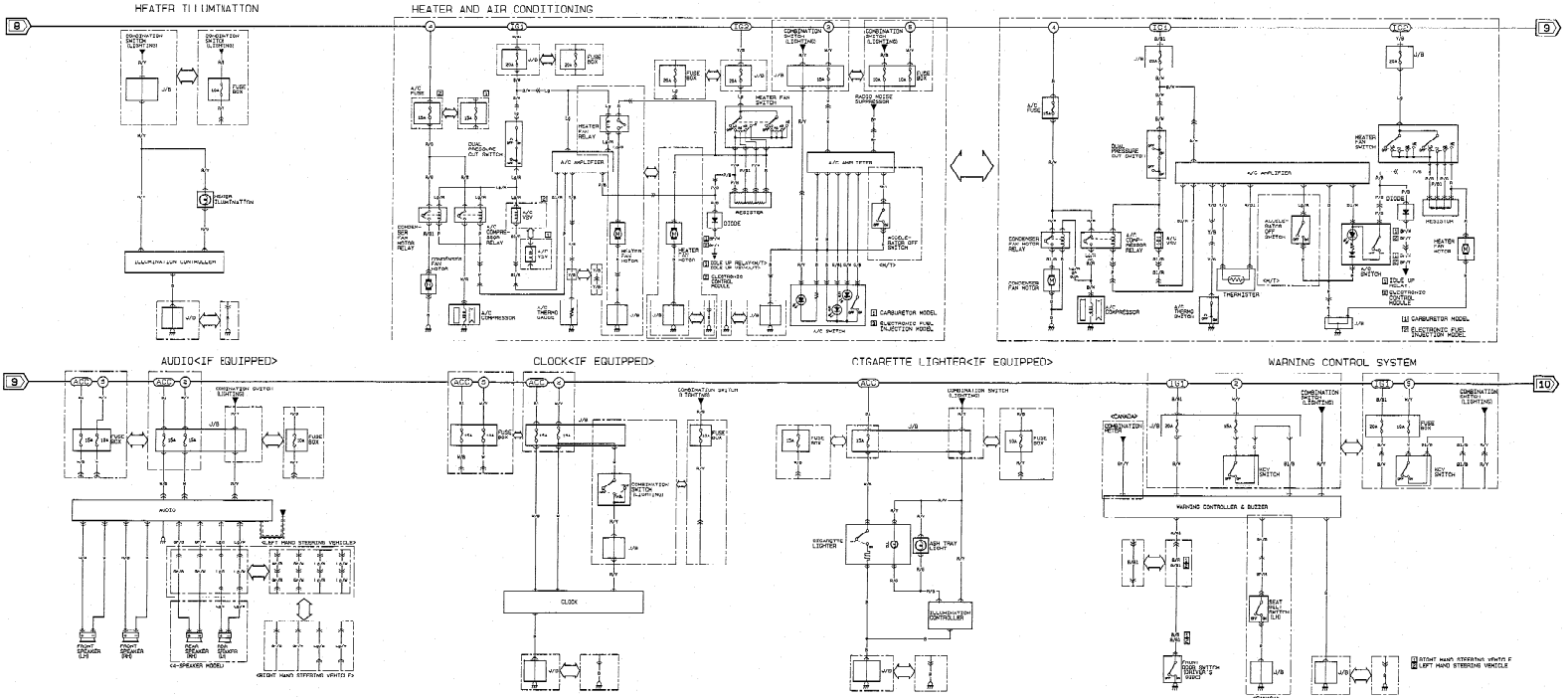




8A-9-5 WIRING DIAGRAM

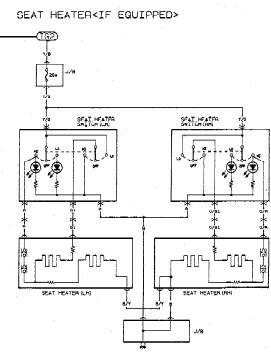
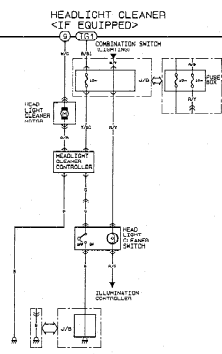
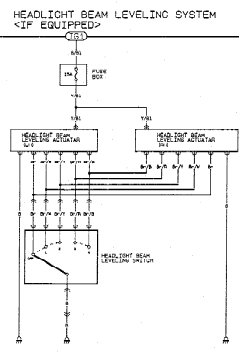
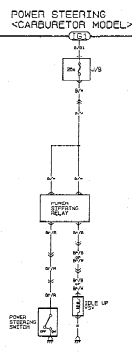
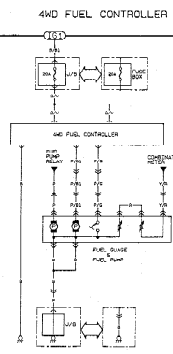






BA-3-8 WIRING DIAGRAM

110



Prepared by

SUZUKI MOTOR CORPORATION

Automobile Department
Overseas Service Division

1st Ed. June, 1993

Printed in Japan



SUZUKI MOTOR CORPORATION